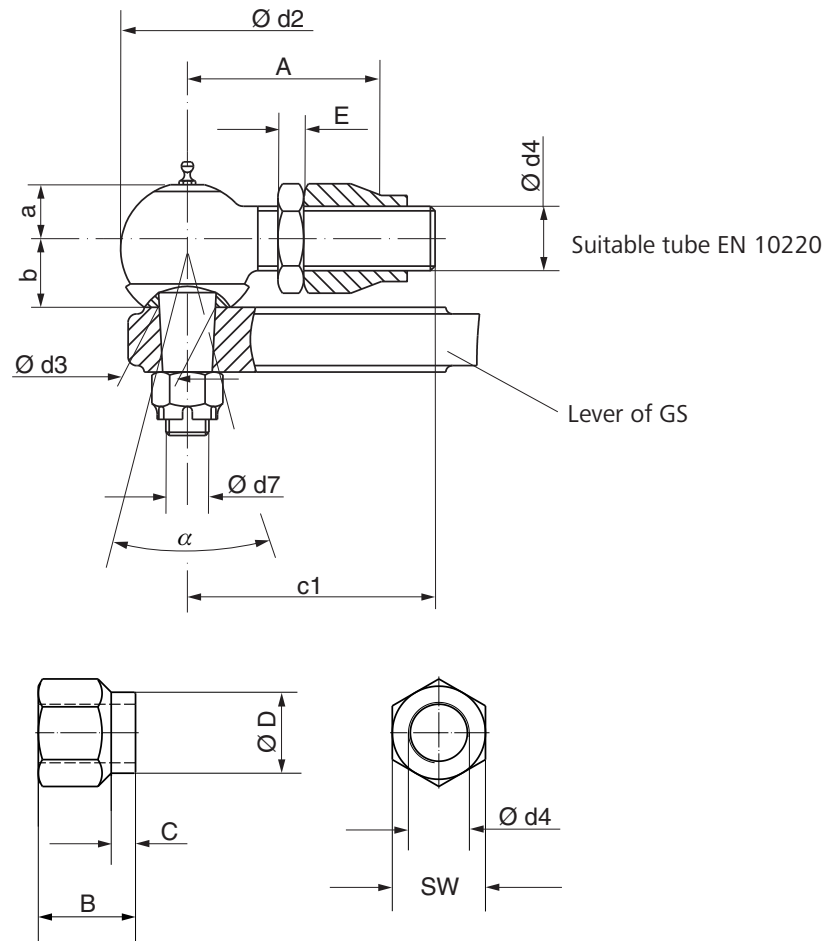


Dimensions Ball joints

Type AH 36 – 1



Dimensions	GS 50.3	GS 63.3 GS 80.3	GS 100.3 GS 125.3 GS 160.3	GS 200.3	GS 250.3
Ball joint size	22	30	35	40	50
A min.	58	75	85	95	110
A max.	90	105	115	120	135
B	28	45	48	48	60
C	8	12	12	12	15
Ø D	27	34	40	40	50
E	8	12	12	12	14
SW	32	41	46	46	60
a	15	22	25	28	33
b	23	28	32	36	42
c1	90	105	115	120	135
Ø d2	36	52	62	69	85
Ø d3	16	22	26	30	38
Ø d4	M16 x 1.5	M28 x 1.5	M30 x 1.5	M30 x 1.5	M38 x 1.5
Ø d7	M12 x 1.5	M18 x 1.5	M20 x 1.5	M24 x 1.5	M30 x 1.5
α	25 °	25 °	25 °	25 °	25 °

We reserve the right to alter data according to improvements made. Previous documents become invalid with the issue of this document.